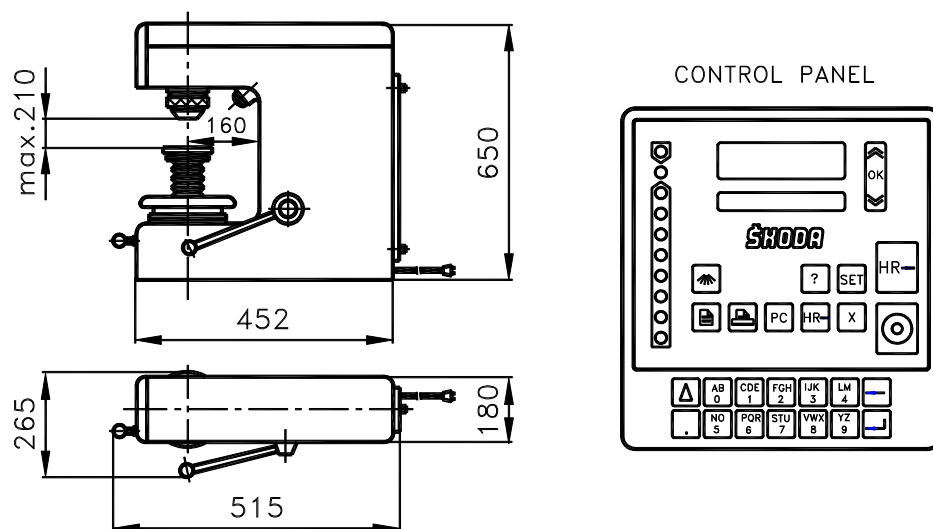


## ROCKWELL HARDNESS TESTER RB-1E



Hardness tester RB-1E is recommended for material hardness tests, where either the Rockwell C, B, A, D or F method according to ČSN EN 101109 or the Brinell (ČSN EN 10003) method can be selected. Hardness tester RB-1E includes an electronic control unit providing for the following functions:

- Upon specifying the test method, selection of the penetrating body, test load and weight configuration
- Setting of the time delay for measurements
- Setting of the date and time
- Correction of the measured values on cylindrical or other non-flat surfaces
- Conversion of hardness values to other units according to DIN 50 150
- Determination of the imprint depth and material strength
- Data transfer to PC using the RS 232 interface
- Printout of test reports via PC or printer
- Check on the correct setting of the sensor
- Optional operator communication in Czech, German or English Languages

G	O	U
110	55	220

### Equipment, spare parts

Version	S		J	
	n	G	n	G
Rockwell C penetration body	1	1.70	1	0.009
Rockwell B ball holder				0.008
Brinell ball holder				0.001
Rockwell B Ø 1/16" diameter				
Brinell ball of Ø 2.5 mm diameter	10		1.3	
Even supporting table			0.18	
Prismatic supporting table			-	
Weights for total load	6		-	
Chucking head	1		1	0.27
Tubular lamp, type 27513-220V 15W/E14				0.03
Protective packing (PE)		0.05		
Instructions for Attendance-manual		-		
Equipment box	-	-		

Dimensions in mm.

#### Legend:

- G ... weight [kg]
- O ... oil brake filling [cm<sup>3</sup>]
- U ... voltage [V]
- S ... set of equipment
- J ... individual spare parts
- n ... number of spare parts