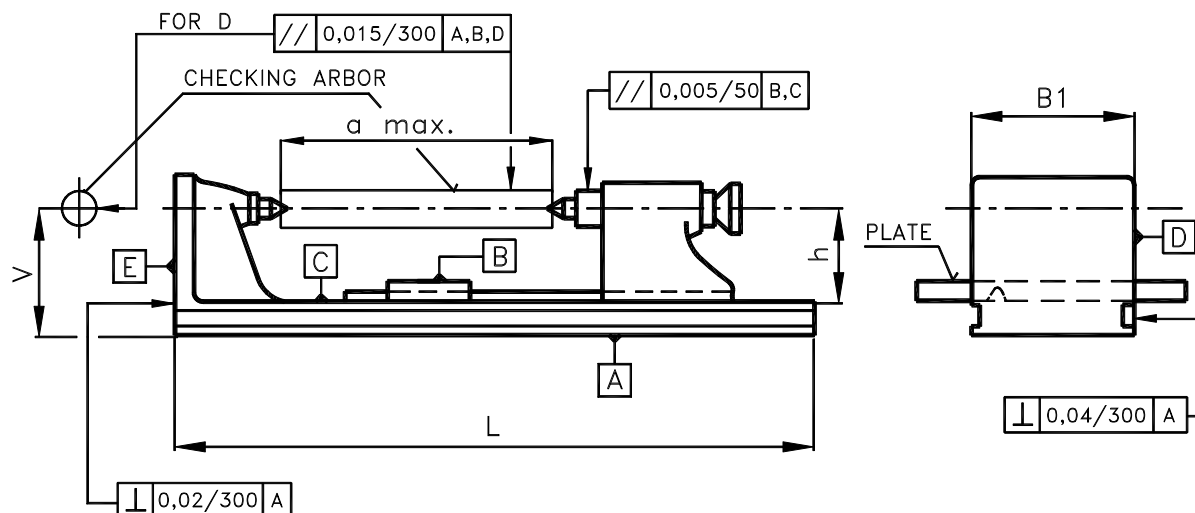


## CENTRE CHECK ATTACHMENT

ČSN 25 5551

With Three Bases



The centre check attachment with three bases is intended for the checking of the shape of the workpieces which can be clamped between the attachment centres. The attachment stand is provided with three bases – A,D,E. The concerned arrangement allows for the checking of workpiece on three planes normal one to the other. The tailstock and plate for the stand with the dial indicator slide along the stand sideways and can be locked in the required position by the bolt. The stand, tailstock and plate are cast of grey iron while the other parts are of steel. The most important functional surfaces are ground to Ra = 0.8um roughness or are scratched to the accuracy degree No.2 according to ČSN 014455. It is recommended to use the check plug 300 mm long, ČSN 251910, for the checking of the attachment. The attachment is dispatched with centres and wrench.

### Attachment

a max.	L	B1	V	h	Q	G
300	550	128	183	115	50	34
500	850	203	274	170	100	96

### Spare parts

H			K		
Mk	n	G	S	n	G
1	2	0.06	19	1	0.21
2		0.16	24		0.38

Dimensions in mm.

Legend:

- Q ... weight of workpiece [kg]
- G ... weight [kg]
- H ... centre, ČSN 243310
- K ... wrench ČSN 230630
- Mk ... size of parts to attachment
- n ... number of parts to attachment
- S ... wrench size