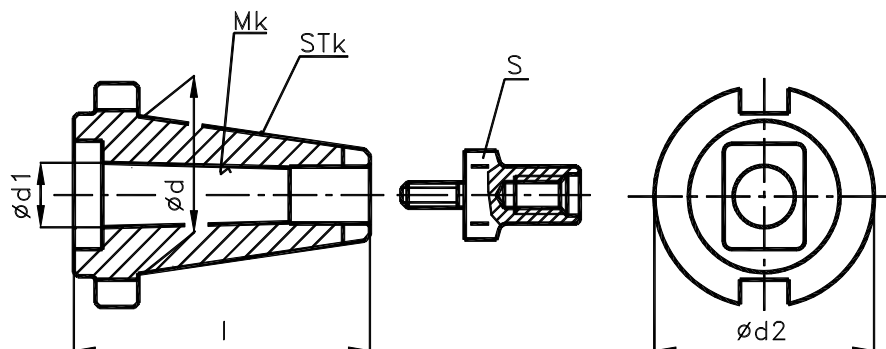


**ADAPTERS**
**ČSN 24 1481**

With Sharp Taper Shank 7:24 and Morse Taper Bore



The adapters are intended for the clamping of tools and holders with Morse taper, ČSN 220422. The adapters are case-hardened to the hardness of 55 to 60 HRC. Couplings (ČSN 241483) are used for the clamping of tool.

Adapters							Spare parts - S	
STk	Mk	∅ d	∅ d1	∅ d2	l	G	n	G
30	2	31.75	17.78	50	65	0.3	-	-
40		44.45			75	0.52	1	0.07
	3	69.85	23.825	63	93	0.67	-	-
50					114	2.15	1	0.16
	4	5	31.267	100	130	2.2	-	-
160					2.75	1	0.21	
55	4	88.9	31.267	130	144		4.75	0.38
	5		44.399		162	4.1	0.4	
60	4	107.95	31.267	160	177	8.05	0.45	
	5		44.399			6.9	0.4	
	6		63.348		220	7.7	-	-

Dimensions in mm. Dimensions marked – are produced in special version only ( are not mentioned in ČSN)

Legend:

G ..... weight [kg]

S ..... coupling (ČSN 24 1483)

n ..... number of parts in adapter