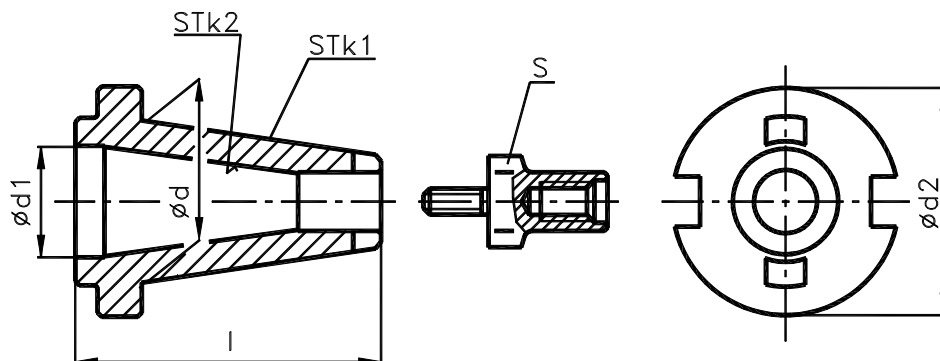


ADAPTERS
ČSN 24 1480

With Morse Sharp Taper Shank 7:24 and Sharp Taper Bore 7:24



The adapters are intended for the clamping of tools with sharp shank 7:24, ČSN 220430. The adapters are case – hardened to the hardness of 55 to 60 HRC. Couplings (ČSN 24 1483) are used for the clamping of tool.

Adapters							Spare parts	
STk 1	STk 2	$\varnothing d$	$\varnothing d_1$	$\varnothing d_2$	l	G	n	G
40	30	44.45	31.75	63	83	0.35	-	-
50	40	69.85	44.45	100	122.5	1.9	-	-
	45		57.15	110	170	3.6	1	0.45
55	50	88.9	69.85	130	157	2.9	-	-
60	45	107.95	57.15	160	187	8.15	1	0.85
	50		69.85		190	5.6	-	-
	55		88.9			4.9	-	-

Dimensions in mm. Dimensions marked – are produced in special version only (are not mentioned in ČSN).

Legend:

G weight [kg]

S coupling (ČSN 24 1483)

n number of parts in adapter